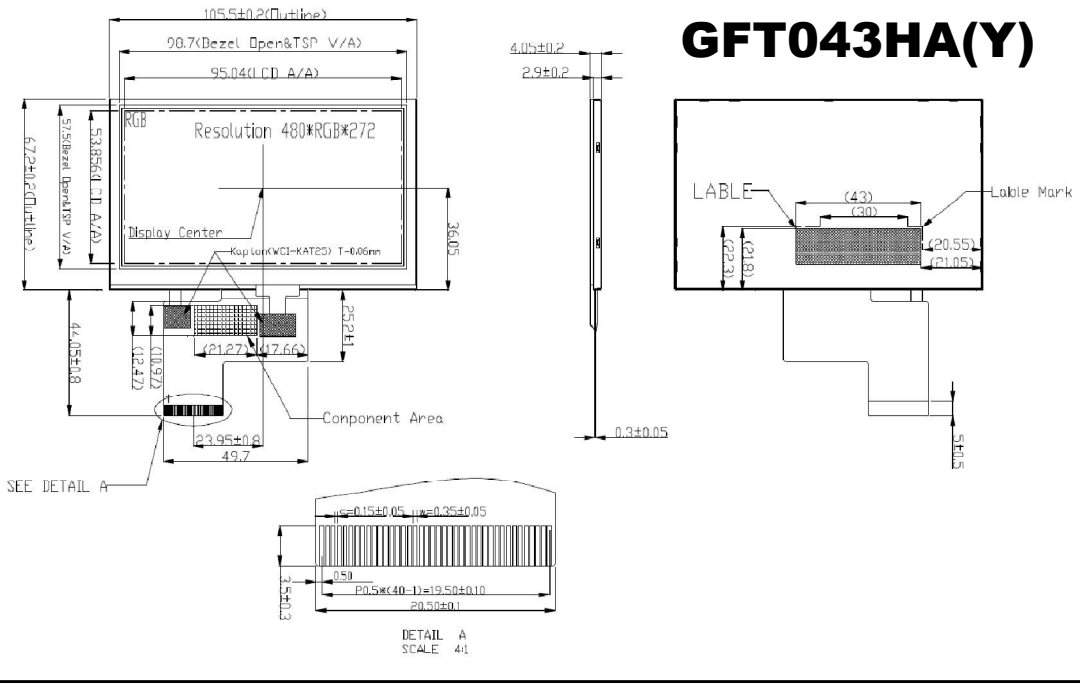


# GFT043HA(Y)



## Interface

## Feature

Pin no	Symbol	Pin no	Symbol	Item	Standard Value	Unit				
1	VLED-	31	DISP	Module	105.5 x 67.2 x 4.05	mm				
2	VLED+	32-33	NC	Viewing Area	98.7 x 57.5	mm				
3	GND	34	DE	Active Area	95.04 x 53.856	mm				
4	VDD	35	NC	<b>Electrical Characteristics</b>						
5-12	R0-R7	36	GND	Item	Symbol	Condition	Min.	Typ.	Max.	Units
13-20	G0-G7	37	X1	Forward Voltage	VF	IF=20mA	25.2	27.9	31.5	V
21-28	B0-B7	38	Y1	Average Brightness (without LCD)	IV	IF=20mA	250	400		cd/m <sup>2</sup>
29	GND	39	X2	Operating Temperature	Top		-20	-	70	V
30	CLK	40	Y2	Storage Temperature	Tst		-30	-	80	mA