



# SPECIFICATIONS

**CUSTOMER** : \_\_\_\_\_  
**MODEL NO.** : **GFC1602G-BNFEJSB17**  
**VERSION** : **C**  
**DATE** : **2016.12.19**  
**CERTIFICATION** : **ROHS**  
**CUSTOMER SIGN** : \_\_\_\_\_

QA Approved By	Approved By	Prepared By	Prepared By

晶發科技股份有限公司  
GI FAR TECHNOLOGY CO.,LTD

新北市樹林區東豐街 81 號

No. 81, Dongfeng St, Shulin District, 23874, New Taipei City, Taiwan, R.O.C.  
 TEL: +886-2-8684-1188 FAX: +886-2-8684-8532





## CONTENTS

1. Scope	-----	4
2. Product Specifications	-----	4
2.1 General	-----	4
2.2 Mechanical Characteristics	-----	4
2.3 Absolute Maximum Ratings	-----	5
2.4 Electrical Characteristics	-----	5
2.5 Optical Characteristics Absolute maximum ratings	-----	5
2.6 Optical Characteristics	-----	6
2.7 LED Back-light Characteristics	-----	7
3. Reliability	-----	8
4. Operating Instructions	-----	9
4.1 Input signal Function	-----	9
4.2 Voltage Generator Circuit	-----	9
4.3 Timing Diagram	-----	10
4.4. Display Command	-----	11
5 Character Pattern	-----	12
6 Notes	-----	13
7 Operation Precautions	-----	13
8 LCM Dimensions	-----	14



## 1. SCOPE

This specification covers the engineering requirements for the GFC1602G-BNFEJSB17 liquid crystal module.

## 2. PRODUCT SPECIFICATIONS

### 2.1 General

- 16 × 2 dot matrix LCD
- STN (BLUE), Negative mode LCD panel
- Transmissive, Wide temperature type
- 6 o'clock
- Multiplexing driving : 1/16duty, 1/5bias
- Controller IC : ST7066U-0A or Compatible
- Backlight: White

### 2.2 Mechanical Characteristics

Item	Characteristic
Dot configuration	16 × 2
Dot dimensions(mm)	0.3 × 0.4
Dot spacing (mm)	0.35 × 0.45
Module dimensions (Horizontal × Vertical × Thickness, mm)	53 × 20 × 9.5 Max
Viewing area (Horizontal × Vertical, mm)	35.85 × 9.8
Active area (Horizontal × Vertical, mm)	33.2 × 7.6
Remark	J2&J3, 短路 PAD 為 1-2 (LED Backlight;透過 Connector 的 15/16pin 控制)



### 2.3 Absolute Maximum Ratings (Without LED back-light)

Characteristic	Symbol	Unit	Value
Operating Voltage (logic)	$V_{DD}$	V	-0.3 to +5.0
Input Voltage	$V_{IN}$	V	-0.3 to $V_{DD}+0.3$

Note 1: Referenced to  $V_{SS}=0V$

### 2.4 Electrical Characteristics (Without LED back-light)

Characteristic	Symbol	Condition	Min.	Typ.	Max.	Unit
Operating Voltage(logic)	$V_{DD}-V_{SS}$	--	4.7	5.0	5.3	V
Input Voltage	$V_{IH}$	--	$0.8V_{DD}$	--	$V_{DD}$	V
	$V_{IL}$	--	$V_{SS}$	--	$0.2V_{DD}$	
Output Voltage	$V_{OH}$	$I_{OH}=-0.1mA$	$0.8V_{DD}$	--	$V_{DD}$	V
	$V_{HL}$	$I_{OL}=0.1mA$	$V_{SS}$	--	$0.2V_{DD}$	

### 2.5 Optical Characteristics Absolute maximum ratings

Item	Symbol	Rating	Unit
Operating temperature range	Top	-20~70	°C
Storage temperature range	Tst	-30~80	°C

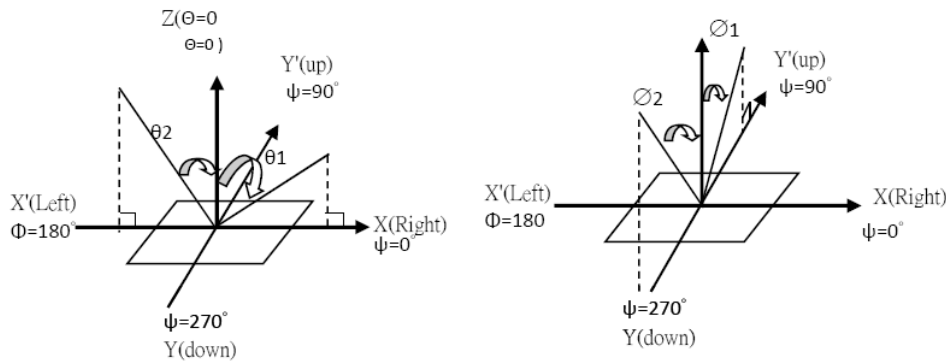


## 2.6. Optical Characteristics

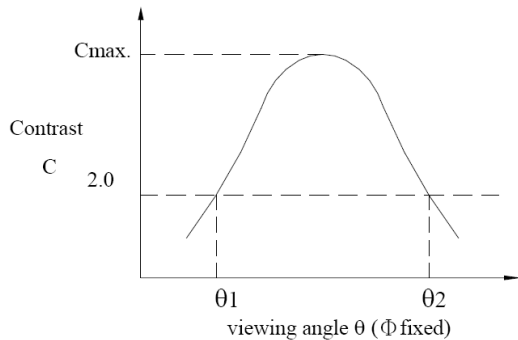
1/16 duty, 1/5 bias, Vop=4.5 V, Ta=25°C

Item	Symbol	Conditions	Min.	Typ.	Max	Reference
Driving voltage	Vop		--	--	--	
Viewing angle	$\theta_1$ 、 $\theta_2$	$C \geq 2.0, \varnothing = 0^\circ$ C	30°	-	-	Notes 1 & 2
Contrast	C	$\theta = 5^\circ, \varnothing = 0^\circ$	2.0	-	-	Note 3
Response time(rise)	ton	$\theta = 5^\circ, \varnothing = 0^\circ$	-	-	185	Note 4
Response time(fall)	toff	$\theta = 5^\circ, \varnothing = 0^\circ$	-	-	167	Note 4

Note 1: Definition of angles  $\theta$  and  $\varnothing$

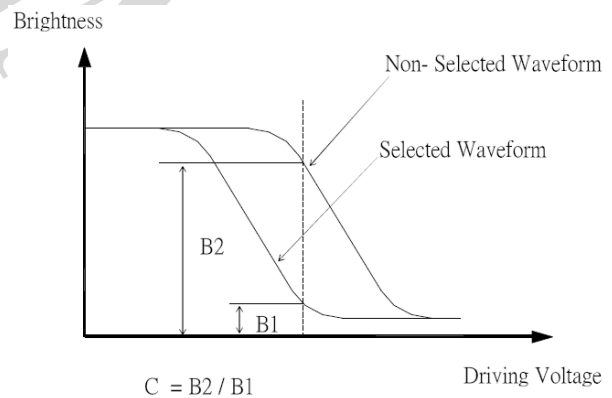


Note 2: Definition of viewing angles  $\theta_1$  and  $\theta_2$

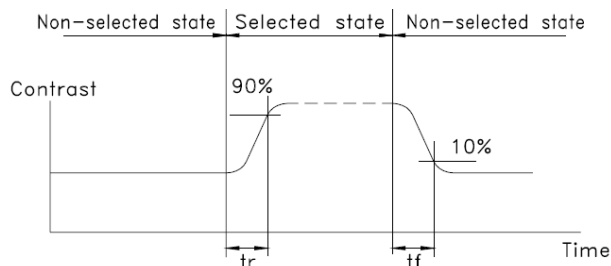


Note: Optimum viewing angle with the naked eye and viewing angle  $\theta$  at Cmax. Above are not always the same

Note 3: Definition of contrast C



Note 4: Definition of response time



Note: Measured with a transmissive LCD panel which is displayed 1 cm<sup>2</sup>

V<sub>OPR</sub> : Operating voltage      f<sub>FRM</sub> : Frame frequency  
t<sub>ON</sub> : Response time (rise)    t<sub>OFF</sub> : Response time (fall)



## 2.7 LED Back-light Characteristics

### 2.7.1 Electrical / optical specifications

Ta = 25°C

Item	Symbol	Condition	Min.	Typ.	Max.	Unit
Forward voltage	V <sub>f</sub>	If=30mA, White	2.9	3.1	3.3	V
LED *Luminous Intensity	I <sub>v</sub>	If=30mA, White	1300	1860	2420	cd/m <sup>2</sup>
Chromaticity Coordinate	x	If=30mA, White	0.26	0.28	0.30	
	y		0.26	0.28	0.31	
Reverse Current	I <sub>R</sub>	VR=5V, White	--	--	20	uA
Luminous Uniformity	ΔL <sub>v</sub>	If=30mA, White	70			%

Note: \* Measured at the bare LED back-light unit.

### 2.7.2 LED Maximum Operating Range

Item	Symbol	WHITE	Unit
Power Dissipation	P <sub>AD</sub>	136	mW
Forward Current	I <sub>F</sub>	40	mA
Reverse Voltage	V <sub>R</sub>	5	V



### 3. RELIABILITY

NO.	ITEM	CONDITION		STANDARD	NOTE
1	High Temp. Storage	80°C	120 hrs	Appearance Without defect	
2	Low Temp. Storage	-30°C	120 hrs	Appearance Without defect	
3	High Temp. & High Humi. Storage	40°C 90% RH	120 hrs	Appearance Without defect	
4	High Temp. Operating Display	70°C	120 hrs	Appearance Without defect	
5	Low Temp. Operating Display	-20°C	120 hrs	Appearance Without defect	
6	Thermal Shock	-20°C, 30min. → 70°C, 30min. ↑ (1cycle)		Appearance Without defect	10 cycles

\*\* Dissipation current, contrast and display functions

\*\* Polarizing filter deterioration, other appearance defects

\*\* The function test shall be conducted after 4hours storage at the normal temperature and humidity after remove from the test chamber.



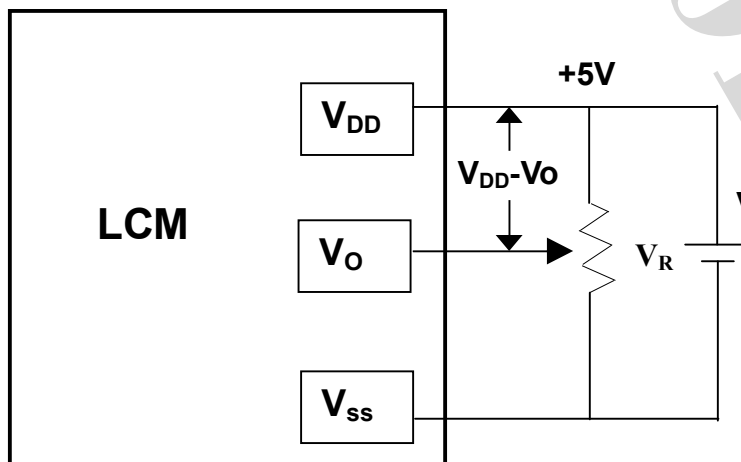


## 4. OPERATING INSTRUCTIONS

### 4.1 Input signal Function

NO.	Symbol	Function
1	VSS	Ground (0V)
2	VDD	Power supply for Logic circuit
3	VO	Power Supply for Driving the LCD
4	RS	Data / Instruction select
5	R/W	Read / Write select
6	E	Enable signal
7-14	DB0-DB7	Data Bus line
15	LED A	Power supply for LED(+)
16	LEDK	Power supply for LED(-)

### 4.2 Voltage Generator Circuit

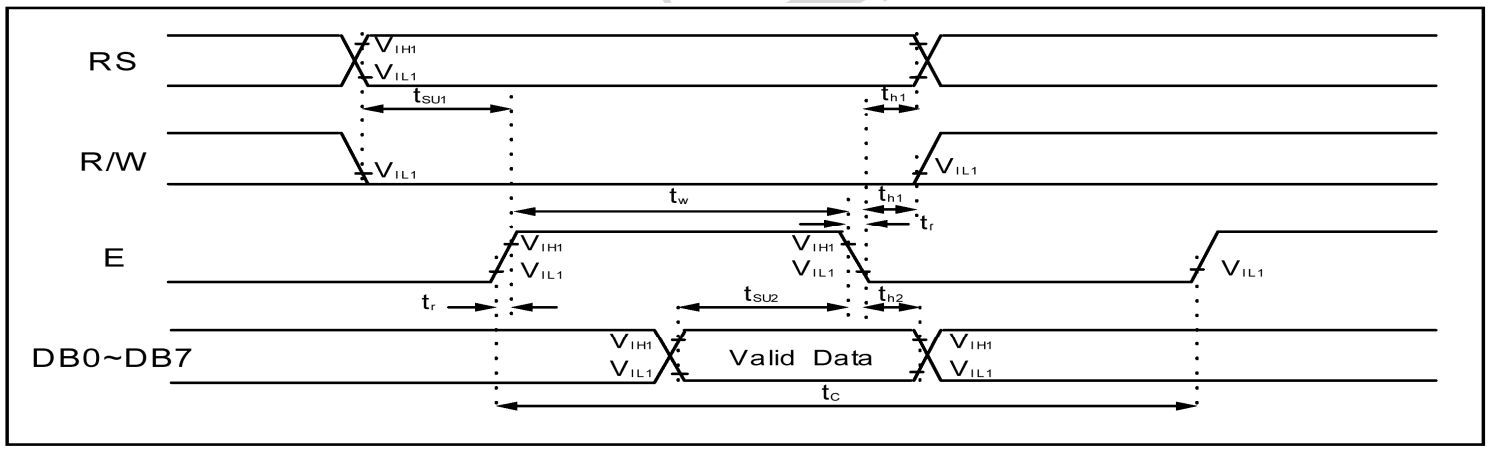


$V_{DD}-V_o$  : LCD Driving Voltage  
 $V_R$  : 10K~20K

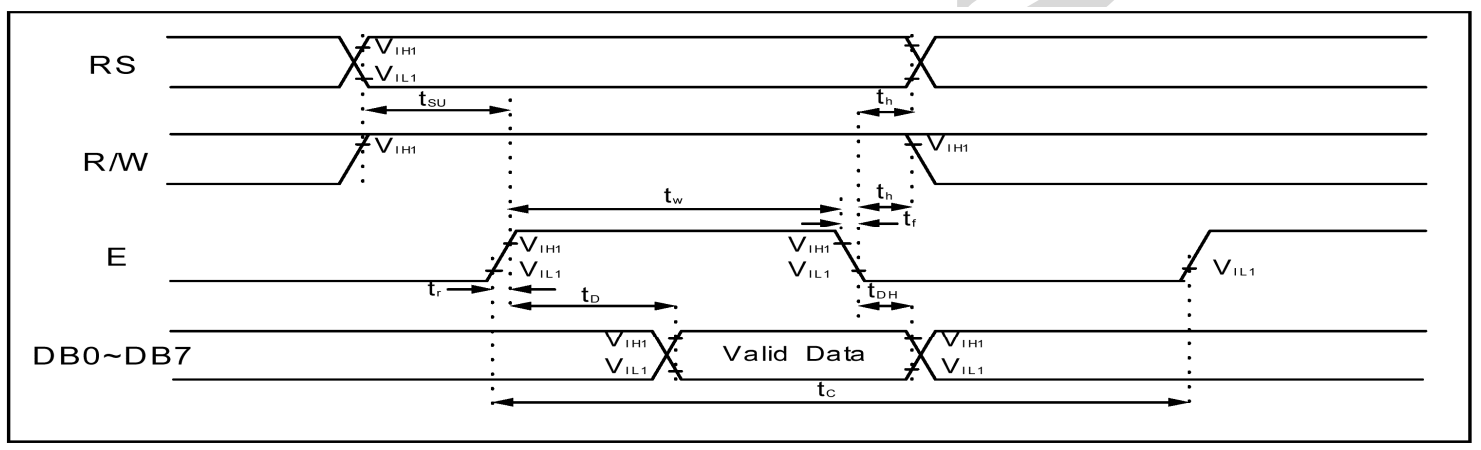


### 4.3 Timing Diagram

Mode	Characteristic	Symbol	Min.	Typ.	Max.	Unit
Write Mode	E Cycle Time	$t_c$	500	--	--	ns
	E Rise/fall Time	$t_r, t_f$	--	--	20	
	E Pulse Width (High,Low)	$t_w$	230	--	--	
	R/W and RS Setup Time	$t_{su1}$	40	--	--	
	R/W and RS Hold Time	$t_{h2}$	10	--	--	
	Data Setup Time	$t_{su2}$	80	--	--	
	Data Hold Time	$t_{h2}$	10	--	--	
Read Mode	E Cycle Time	$t_c$	500	--	--	ns
	E Rise/fall Time	$t_r, t_f$	--	--	20	
	E Pulse Width (High,Low)	$t_w$	230	--	--	
	R/W and RS Setup Time	$t_{su}$	40	--	--	
	R/W and RS Hold Time	$t_h$	10	--	--	
	Data Output Delay Time	$t_D$	--	--	120	
	Data Hold Time	$t_{DH}$	5	--	--	



Write Mode Timing Diagram



Read Mode Timing Diagram



#### 4.4.Display Command

Instructions	Instruction Code										Description	Execution Time (fosc = 270KHZ)
	RS	R/W	DB7	DB6	DB5	DB4	DB3	DB2	DB1	DB0		
Clear Display	0	0	0	0	0	0	0	0	0	1	Write "20H" to DDRAM. and set DDRAM address to "00H" from AC.	1.53ms
Return Home	0	0	0	0	0	0	0	0	1	×	Set DDRAM address to "00H" from AC and return cursor to it's original position if shifted. The contents of DDRAM are not changed.	1.53ms
Entry Mode Set	0	0	0	0	0	0	0	1	I/D	SH	Assign cursor moving direction and make shift of entire display enable.	39μs
Display ON/OFF Control	0	0	0	0	0	0	1	D	C	B	Sets display (D), cursor(C), and blinking of cursor(B) on/off control bit.	39μs
Cursor or Display Shift	0	0	0	0	0	1	S/C	R/L	×	×	Set cursor moving and display shift control bit, and the direction, without changing of DDRAM data.	39μs
Function Set	0	0	0	0	1	DL	N	F	×	×	Set interface data length (DL:4-bit/8-bit), numbers of display line (N: 1-line/2-line), display font type(F:5*8 dots/5*11 dots)	39μs
Set CGRAM Address	0	0	0	1	AC5	AC4	AC3	AC2	AC1	AC0	Set CGRAM address in address counter.	39μs
Set DDRAM Address	0	0	1	AC6	AC5	AC4	AC3	AC2	AC1	AC0	Set DDRAM address in address counter.	39μs
Read Busy Flag and Address	0	1	BF	AC6	AC5	AC4	AC3	AC2	AC1	AC0	Whether during internal operation or not can be known by reading BF. The contents of address counter can also be read.	0μs
Write Data to RAM	1	0	D7	D6	D5	D4	D3	D2	D1	D0	Write data into internal RAM (DDRAM/CGRAM).	43μs
Read Data from RAM	1	1	D7	D6	D5	D4	D3	D2	D1	D0	Read data from internal RAM (DDRAM/CGRAM).	43μs

※ "x":don't care



## 5. Character Pattern

Upper 4 bit Lower 4 bit	LLLL	LLLH	LLHL	LLHH	LHLL	LHLH	LHHL	LHHH	HLLL	HLLH	HLHL	HLHH	HHLL	HHLH	HHHL	HHHH
LLLL				0	1	2	3	4	5	6	7	8	9	A	B	C
LLLH			!	l	lA	lQ	l3	l9			。	尸	尸	4	3	9
LLHL			"	2	B	R	b	r			「	イ	ウ	×	尸	尸
LLHH			#	3	C	S	c	s			」	ウ	テ	モ	3	3
LHLL			4	4	O	T	t	t			レ	エ	ト	ト	尸	尸
LHLH			5	5	E	U	e	u			ノ	オ	大	工	0	0
LHHL			6	6	F	U	f	u			ヲ	力	ニ	ヨ	尸	尸
LHHH			7	7	B	W	w	w			ア	牛	又	ヲ	尸	尸
HLLL			8	8	H	×	h	×			イ	ウ	ホ	リ	尸	尸
HLLH			9	9	I	Y	i	y			ウ	テ	ル	ル	尸	尸
HLHL			*	*	J	Z	j	z			エ	コ	ル	レ	尸	尸
HLHH			+	+	K	K	く	く			オ	カ	ロ	×	尸	尸
HHLL			,	,	L	1	l	l			カ	ロ	ワ	ワ	尸	尸
HHLH			=	=	N	n	ノ	ノ			ユ	又	ノ	ノ	尸	尸
HHHL			>	>	N	n	ノ	ノ			ヨ	セ	ホ	ノ	尸	尸
HHHH			/	/	O	0	0	0			ウ	ウ	ワ	ワ	尸	尸



## 6. NOTES

### ▪ Safety

- If the LCD panel breaks, be careful not to get the liquid crystal in your mouth. If the liquid crystal touches your skin or clothes, wash it off immediately using soap and plenty of water.

### Handling

- Avoid static electricity as this can damage the CMOS LSI.
- The LCD panel is plate glass; do not hit or crush it.
- Do not remove the panel or frame from the module.
- The polarizing plate of the display is very fragile; handle it very carefully

### Mounting and Design

- Mount the module by using the specified mounting part and holes.
- To protect the module from external pressure, leave a small gap by placing transparent plates (e.g. acrylic or glass ) on the display surface, frame, and polarizing plate
- Design the system so that no input signal is given unless the power-supply voltage is applied.
- Keep the module dry. Avoid condensation, otherwise the transparent electrodes may break.

### Storage

- Store the module in a dark place where the temperature is  $25^{\circ}\text{C}\pm 10^{\circ}\text{C}$  and the humidity below 65% RH.
- Do not store the module near organic solvents or corrosive gases.
- Do not crush, shake, or jolt the module (including accessories).

### Cleaning

- Do not wipe the polarizing plate with a dry cloth, as it may scratch the surface.
- Wipe the module gently with soft cloth soaked with a petroleum benzine.
- Do not use ketonic solvents (ketone and acetone) or aromatic solvents (toluene and xylene), as they may damage the polarizing plate.

## 7. OPERATION PRECAUTIONS

Any changes that need to be made in this specification or any problems arising from it will be dealt with quickly by discussion between both companies.



## 8. LCM Dimension

ROHS

4.05
3.55
0.45
0.40
0.3
0.35
1.7
2.1

PIN	NAME
1	VSS
2	VDD
3	VO
4	RS
5	R/W
6	E
7	DB0
8	DB1
9	DB2
10	DB3
11	DB4
12	DB5
13	DB6
14	DB7
15	LEDA
16	LEDK

**NOTES:**

- DRIVE METHOD: 1/16DUTY, 1/5BIAS, VOP4.5V.
- VIEWING ANGLE: 6 0'CLOCK.
- DISPLAY TYPE: STN(BLUE), TRANSMISSIVE/NEGATIVE.
- OPERATING TEMP: -20 TO 70°C.
- STORAGE TEMP: -30 TO 80°C.
- CONNECTION: ZEBRA. Large panel is on top layer.
- BACKLIGHT: WHITE/EDGE.
- CONTROLLER IC: ST7066U-0A, ST7066.
- NOT DIMENSION TOLERANCES IS ±0.3.

<b>日期</b>	141121	<b>修改內容</b>	依GFC1602G-BNFE-JS10將FFC拿掉換成Connect
<b>版本</b>	00		
	01	修改公司抬頭為"晶發科技股份有限公司"	
<b>DATE</b>	2016.12.19	<b>REV</b>	01
<b>UNIT</b>	mm	<b>Product</b>	GFC1602G-BNFEJSB17
<b>SCALE</b>	1/1	<b>DRAWN</b>	Hazel
<b>SHEET</b>	1/1	<b>CHECKED</b>	Kevin
		<b>PAGE</b>	1/1